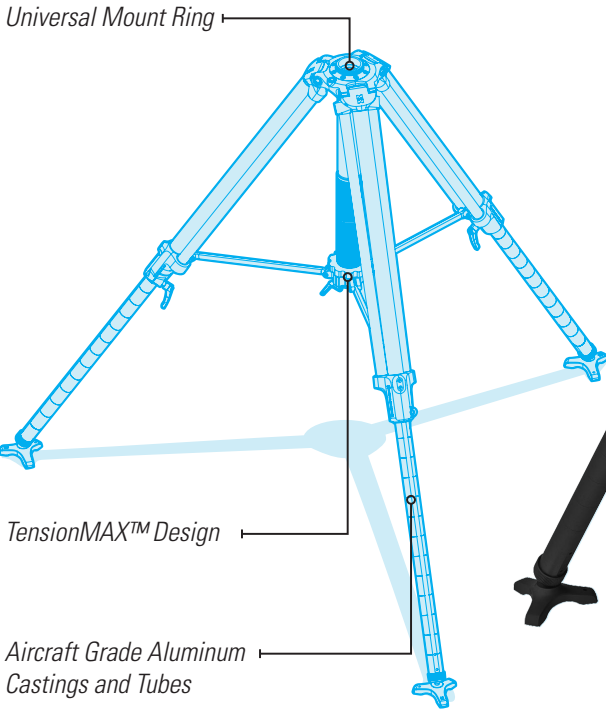


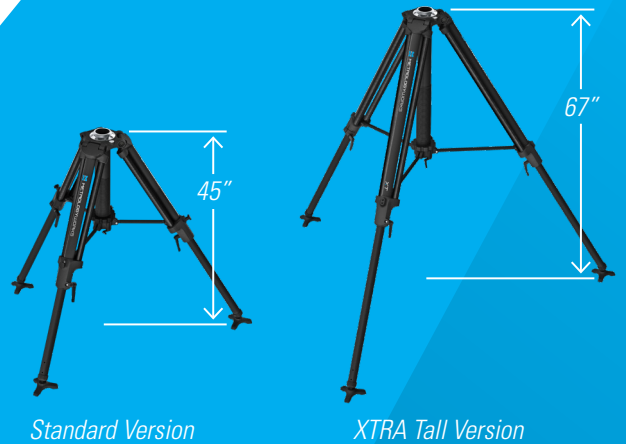
XT XTRA-TALL



Pro  Series
TRIPODS

FEATURES / / / / /

- ✦ Patented TensionMAX™ Design
- ✦ Tension Eliminates Slack and Drift
- ✦ Tension Tripod at Any Angle
- ✦ Bubble Level
- ✦ Aircraft Grade Aluminum Tubes and Castings
- ✦ 3 1/2"-8 Universal Mount Ring (Stainless Steel)
- ✦ Bottom Hook - For Adding Weight
- ✦ Adjustable Heights and Angles



HDP-PROTRIPOD-XT

Protected by US Patents:

US 10,738,938 B2

US 10,514,278 B1

TS_rev11042024
MWT_S_TRIPOD-HDP-PRO-XT_NK

Americas, Asia-Pacific
sales@metrologyworks.com
Phone: 816-650-2266

Europe
sales.eu@metrologyworks.com
Phone: +49 162/1826504



XT

PN: **TRIPOD-HDP-PRO-XT**

Protected by US Patents:

US 10,738,938 B2

US 10,514,278 B1

Tension Hard Stop

Tension Angle Adjustment Screw

Carbon Fiber Tri-Bracing
(Added Rigidity, Light Weight,
Vibration Dampening)

Working Height: 40" - 67"

QuickSlide™ Tension Nut
(Place the Tripod in Tension
for Maximum Rigidity)

Ø57" Footprint
with Legs Retracted

Ø92" Footprint
with Legs Extended

Tri-Foot
(Provides Stability on Rough
and Uneven Surfaces)

Round Foot Kit Available

HDP-PROTRIPOD-XT

www.MetrologyWorks.com

MetrologyWorks, Inc.
105 S.E. Magellan Dr.
Blue Springs, MO 64014

MetrologyWorks GmbH
AM Stichkanal
14167 Berlin, Germany

HDP-Pro
TRIPOD